



OT400 Bariatric Ceiling Hoist

The OT400 Bariatric Ceiling Hoist is carefully designed to offer a 400kg safe working load lifting capacity. Included is our unique gravity powered system and emergency lowering function which does not require tools. The OT400 is a cost effective, flexible solution, ideal for bariatric patient transfer and lifting.

Unique Features

- Compact cassette with no-lights at night
- Gravity powered charging
- No tools emergency lowering
- Available with Powered Cradle or X-Shaped Spreader Bar
- Low cost of ownership
- Removable padded Spreader Bar
- Retro installations to existing tracks
- Two Belt Support
- Safe Working Load of 400kg



Two Belt Support



Retro Installations to Existing Track



Safe Working Load of 400kg



Option of Powered Cradle (Clip) Spreader Bar



Option of X-Frame (Loop) Spreader Bar



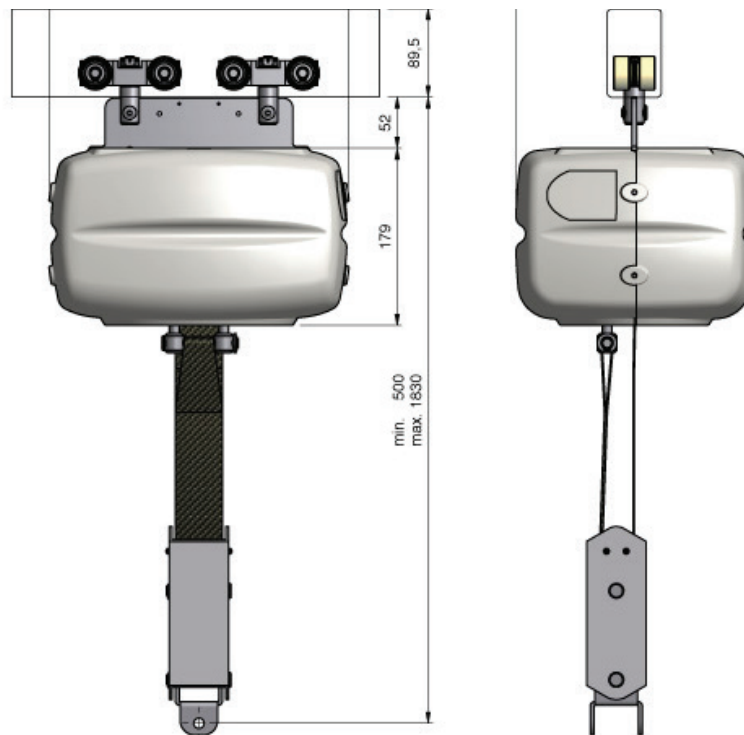
Available with wired or infra-red handcontrol

Product Specifications OT400 Ceiling Hoist

Specifications

Model	OT400 Ceiling Hoist
Function	Bariatric Patient Lifting, Room-to-Room Transfer, Ideal for Bathrooms, Bedrooms and Home Use
Dimensions	Cassette - 302mm x 240mm x 179mm
Weight Capacity	400kg
Options	Powered or Manual Tilting Cradle, 6 Hook Spreader Bar, Infra-Red
Track Options	H system, Turntable, Gate, Curves, Room-to-Room, Freestanding Gantry : 2m, 3m, 4.5m, 6m, 8m
Application	Nursing Home, Hospital, Domestic, School, Leisure Centre, Physiotherapy
Unique Features	Gravity powered charging, No Tools Emergency Down

Dimensions



MMS Medical,
51 Eastgate Drive,
Little Island,
Cork.
Tel: 021 4618000
Fax : 021 4618099
E: info@mmsmedical.ie
www.mmsmedical.ie

MMS Medical,
Unit 81 Western Parkway Business Park,
Lower Ballymount Road,
Dublin 12.
Tel: 01 4500582
Fax : 01 4565889

