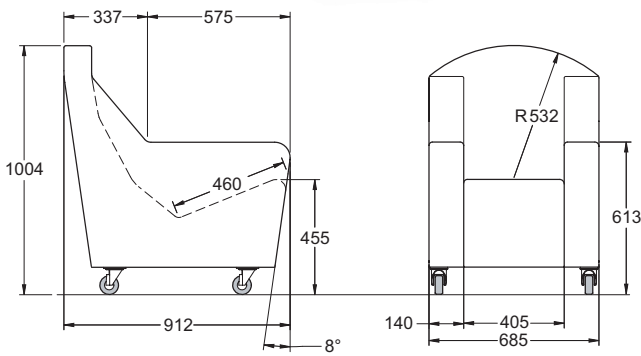


STIRLING



Dimensions in mm

General Use

- Care home environments
- Domestic home use
- Hospital ward and bedside use
- For those with physical and learning disabilities
- For the frail elderly

Features and Benefits

- Elegant, simple design
- Correct positioning and support
- Fixed angle seat and back
- Lateral supports
- Built-in headrest support

Pressure Relieving Seat Options (integral)

- Intelli-Gel® Integral seat module
- Reflexion™ Foam seat module

Accessories

- Head supports
- Sliding footrest
- Legrests
- Fleecy liner
- Laminated tray
- Wedges and cushions
- Lap-Belt
- Pelvic Positioners

Weight Limit

- 102kg/16 stone



Contact Us

MMS Medical, 51 Eastgate Drive, Little Island, Cork. Tel: 021 4618000 Email: info@mmsmedical.ie
 MMS Medical, Unit 81 Western Parkway Business Park, Lower Ballymount Road, Dublin 12. Tel: 01 4500582
www.mmsmedical.ie