

The ultimate mobility tool

Batec handbikes are a comprehensive solution to your mobility problems:

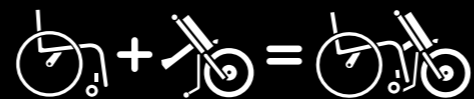
- ✓ Go from reduced to **augmented mobility**; from needing help to being **independent** and **proactive**.
- ✓ Get a **2 in 1**, without giving up your manual wheelchair.
- ✓ **Overcome obstacles** and **drive over bumpy terrains**.
- ✓ Attach our handbikes **in just seconds** and **with no need for transfers**.
- ✓ Also available for **quadriplegics**.



Request a quote or a demonstration without any commitment!



You CAN get used to being in a **wheelchair**



But not to giving up on

LIFE

www.batec-mobility.com

BATEC MOBILITY S.L.

Illa de Buda, 2

08192 Sant Quirze del Vallès

(Barcelona) - ESPAÑA

93 544 2003

info@batec-mobility.com



BATEC HYBRID 2

Physical exercise for everyone

QUAD
version
available



BATEC
MOBILITY



BATEC HYBRID 2

Physical exercise for everyone

The **BATEC HYBRID 2** brings together the technology of the **BATEC ELECTRIC** and **BATEC MANUAL** handbikes in a single product to become the equivalent of an electrically assisted bicycle. The power of its motor will give you the push you need whenever you require a bit of assistance.



All-in-one LCD screen with cycle computer. USB port and horn.



New own electronics with 3 levels of assistance + E mode. Power cut-off brake sensor.



A high-power 250 RPM Brushless motor. Rated power: 900W. Peak power: 1050 W.



27-40 km* with 280 Wh battery
50-75 km* with 522 Wh battery
55-80 km* with 576 Wh battery



Storage bag.



700 lumens front light. Double LED taillight on the stand.



150 mm aluminium arm cranks. New trigger throttle.



9-pinion gear change.



Double sensor clamp with Saccon current cut-off levers and 200/203 mm rotor disc double parking brake.



170/150 mm aluminium crank arms. E mode combined with MAGIC LEVER.



BATEC SHIFT LEVER. Shimano REVO 8 gear shifter.



Double clamp on 200/203 mm rotor disc and brake sensor with current cut-off. BATEC QUAD GRIPS handlebar grips.

HYBRID 2 PARA

COLOURS ●

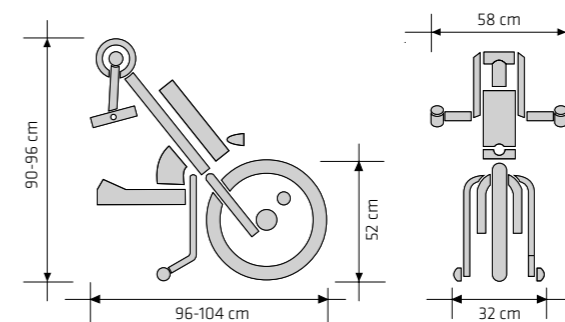


HYBRID 2 QUAD

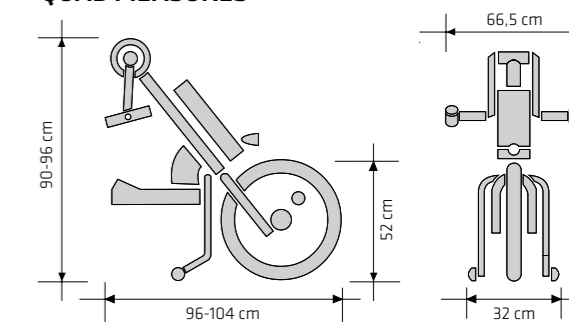
COLOURS ●



PARA MEASURES



QUAD MEASURES



*Autonomy calculated under the following conditions: user weighing 75 kg, ultralight wheelchair, flat terrain, no wind, and an average speed of 15 km / h. It may vary + -20% depending on the battery. Number/version: MM-017-3.0 | February 2023