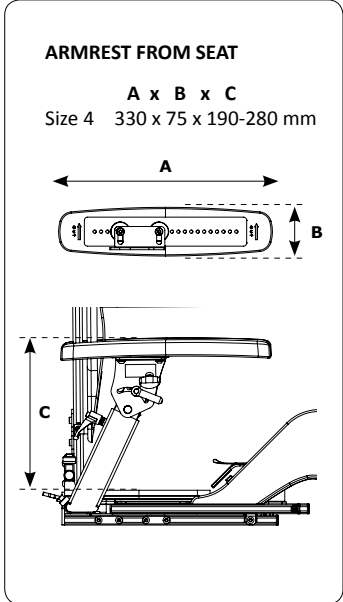
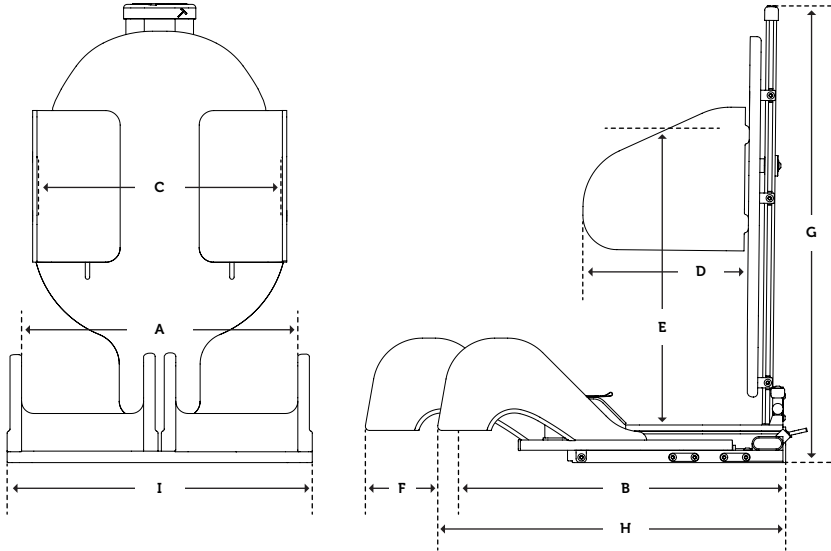


Technical data

Sharky Pro



Technical data

Size 1

Size 2

User length	150 - 180 cm	170 - 195 cm
User weight	130 kg*	130 kg*
Seat width (A)	36, 39, 42 cm	43, 46, 49 cm
Seat depth (B)	36 - 47 cm	45 - 55 cm
Lateral width (C)	27 - 35 cm	30 - 38 cm
Lateral depth (D)	21 cm	25 cm
Axilla height (E)	35 - 50 cm	40 - 55 cm
Leg length difference (F)	10 cm	10 cm
Abduction/Adduction	18° / 9°	18° / 9°
Height (G)	67 cm	77 cm
Length (H)	52 - 62 cm	62 - 72 cm
Width (I)	43, 46, 49 cm	50, 53, 56 cm
Weight	14 kg	15 kg
Back angle	-10° / +30°	-10° / +30°
Backplate: Width x Height	35 x 52 cm	36 x 60 cm

* Crash tests approval for weights up to 75 kg.

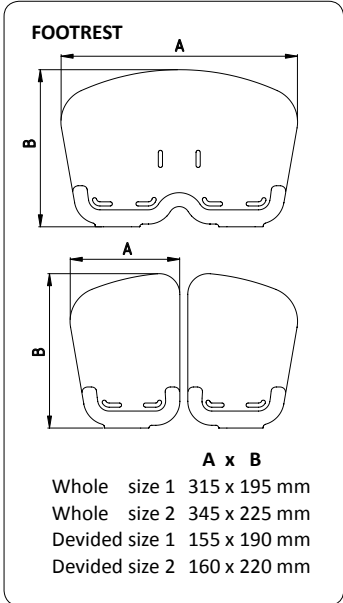


TABLE	Table	MEASURE				SUPPORT TABLE
		A	B	C	D	
	Size 1	480	450	240	250 mm	
	Size 2	540	515	260	290 mm	
	Size 3	570	570	280	340 mm	
	Size 4	660	600	320	385 mm	
	Size 5	660	650	320	435 mm	
	Support table	A	B	C	D	
	Size 1	380	450	230	260 mm	
	Size 2	430	510	260	300 mm	
	Size 3	490	580	300	340 mm	
	Size 4	540	640	330	380 mm	

