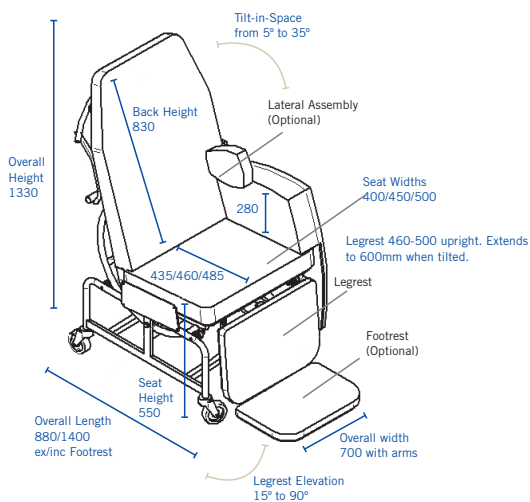


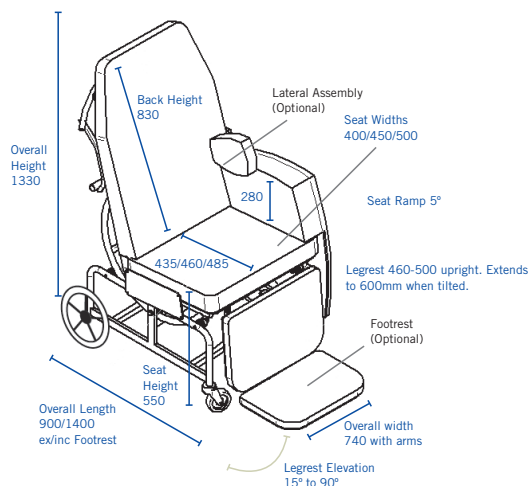
FLORIEN II



Standard Wheel Version



Large Wheel Version



Dimensions in mm

General Use

- Nursing and residential homes
- General care of the elderly wards and bedside use
- Domestic home environments
- Hospices
- For those that side transfer
- General nursing care for the semi and non-ambulant user

Features and Benefits

- Mechlock operated Tilt-in-Space positioning and Legrest elevation
- Removable arms for easier side transference
- Three seat length options: 435mm, 460mm, 485mm (to be specified at time of manufacture)
- Articulated integral head support
- Ergonomically positioned push handle
- Two wheel options: 100mm wheels, braked at rear and Large wheel version available with 315mm rear wheels with brake bar
- 25° negative legrest angle to help accommodate knee contractures
- Supremely comfortable moulded backrest to enhance the sitting experience

Pressure Relieving Seat Options (integral)

- Intelli-Gel® Integral seat module
- Transflo Gel seat module
- Reflexion™ Foam seat module

Accessories

- Flip up footrest
- Adjustable lateral supports
- Universal or Cushioned Headrest
- Lap-Belt
- Pelvic Positioners
- Universal Tray
- Flat Seat Board

Weight Limit

- 180kg/28 stone



Tilt-in-Space



Elevating Legrest



Manual



5 Year Frame Warranty



10 Day Despatch



Made in Britain



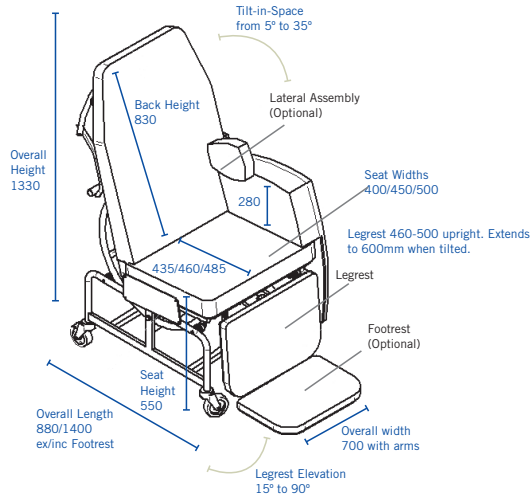
Intelli-Gel
Integral



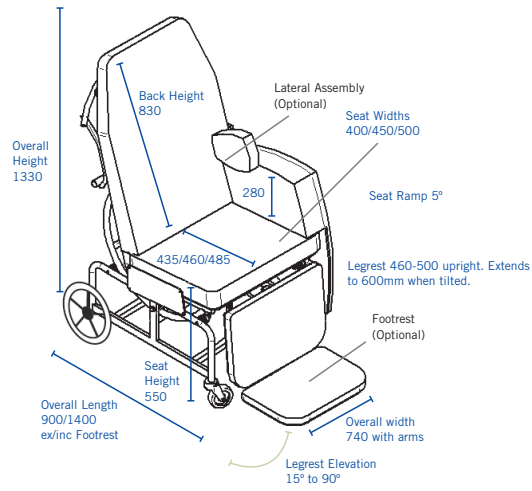
Contact Us
MMS Medical, 51 Eastgate Drive, Little Island, Cork
Tel: 021 4618000 Fax 021 4618099 E: info@mmsmedical.ie

Contact Us
MMS Medical, Unit 81, Western Parkway Business Park, Lower Ballymount Road, Dublin 12.
Tel: 01 4500582 Fax : 0 1 4565889 E: info@mmsmedical.ie

Standard Wheel Version



Large Wheel Version



Dimensions in mm

