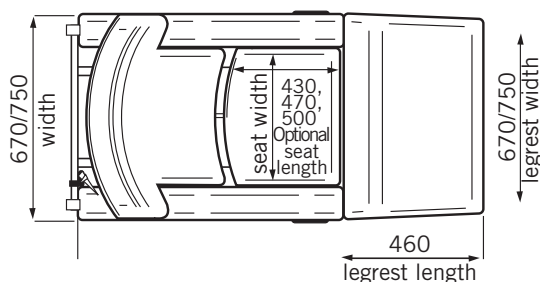


OMEGA

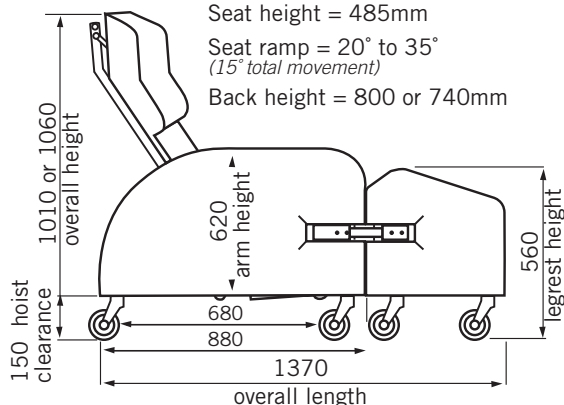


Back recline = 32° to 57°
(measured from the vertical)

Seat height = 485mm

Seat ramp = 20° to 35°
(15° total movement)

Back height = 800 or 740mm



Dimensions in mm

General Use

- Hospital and care home environments
- Domestic use
- For those with Huntington's Disease or other neurological conditions
- For general care of the semi and non-ambulant user

Features and Benefits

- Linked gas action back recline and variable seat angle
- Horizontally and vertically sculpted back aiding midline stability
- Two back height options
- Pivoting seat at front edge to retain knee to floor height
- Three seat width options: 380mm, 430mm, 510mm
- Three seat length options: 430mm, 470mm, 500mm (to be specified at time of manufacture)
- Supportive Reflexion™ foam legrest
- Ergonomically positioned push handle
- Solid metal frame construction with modular back, arm and seat components

Pressure Relieving Seat Options (integral)

- Intelli-Gel® Integral seat module
- Transflo Gel seat module
- Reflexion™ Foam seat module

Accessories

- Weighted Universal headrest
- Cushioned headrest
- Sliding footrest
- Washable loose covers
- Headcap
- Lap-Belt
- Pelvic Positioners

Weight Limit

- 150kg/25½ stone

Range	Seat Width	Overall Width
Omega 380	380mm	670mm
Omega 430	430mm	670mm
Omega 510	510mm	750mm

Please note: Omega 510 overall width with arms removed is 680mm.



Manual



5 Year Frame Warranty



Made in Britain



Intelli-Gel
Integral

REFLEXION™

Transflo
SEATING SYSTEM

Contact Us

MMS Medical, 51 Eastgate Drive, Little Island, Cork. Tel : 021 4618000 email: info@mmsmedical.ie

MMS Medical, Unit 81 Western Parkway Business Park, Lower Ballymount Road, Dublin 12. Tel 01 4500582

www.mmsmedical.ie