

Standard
(Sizes >53 cm height 9 only)

On request

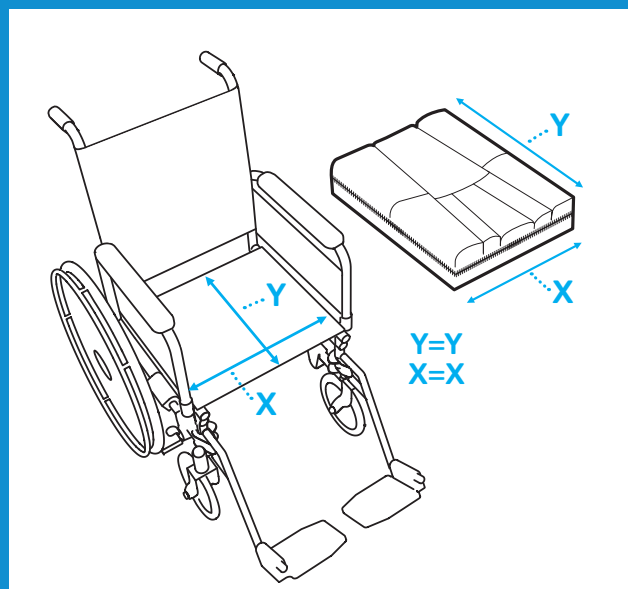
		width				
Inch		10	11	12	13	14
CM		25	28	30	33	35
depth	10	Standard	On request	On request	On request	On request
	11	On request	On request	On request	On request	On request
	12	On request	On request	Standard	On request	On request
	13	On request	On request	On request	On request	On request
	14	On request	On request	On request	On request	Standard
	14	On request	On request	On request	On request	Standard

SIZE MEASUREMENT QUICK GUIDE

To get the correct size of wheelchair cushion, Vicair recommends to measure as follows:

The width (X) of the cushion and the wheelchair seat should match. When the cushion rests against armrests or side-guards, the width of a Vicair seat cushion may be up to 2,5 cm (1") wider.* The depth (Y) of the cushion and seat should match.

* Exception: The width of the Vicair Active O2 should always match the width of the wheelchair seat.



For further information on the Vicair Range of Cushions please contact MMS Medical.
Tel : 021 4618000
Email: info@mmsmedical.ie