



OT200 Compact Ceiling Hoist

The award winning OT200 Compact Ceiling Hoist is the smallest professional-use patient hoist on the market. The hoist uses a unique gravity powered system and emergency lowering function which does not require tools. The OT200 is a cost effective, flexible solution that can be installed in virtually any setting.

Unique Features

- Compact cassette with no-lights at night
- Gravity powered charging
- No tools emergency lowering
- Low cost of ownership
- Removable padded Spreader Bar
- Retro installations to existing tracks

Gravity Powered - The OT200 has a unique self-charging system that charges the battery automatically whenever in use. It is therefore not reliant upon regular charging, providing a significant cost saving over the life-time of the hoist.

Compact Design

The discreet white motor and track of the OT200 is designed to blend into the surroundings, providing an aesthetically pleasing solution which is available as a 200kg, 250kg or 400kg motor capacity.

Wide Range of Tracking

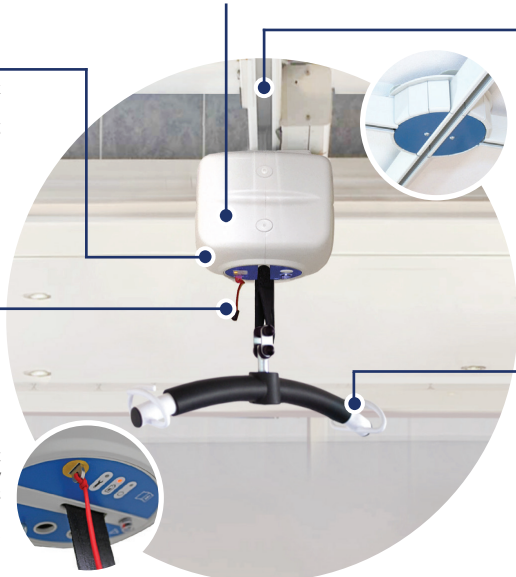
With the widest range of track options on the market, virtually any layout can be achieved. We understand that the optimum patient handling solutions requires the correct positioning of users.

No-Tools Emergency Lower

If the electric emergency lower can't be used, the OT200 automatically senses a failure and manually winds down the hoist in a safe and controlled manner without carer intervention.

Spreader Bar

The OT200 Ceiling Hoist comes as standard with a modern design spreader bar. The hoist is also available with a manual or powered cradled to suit the user's needs.

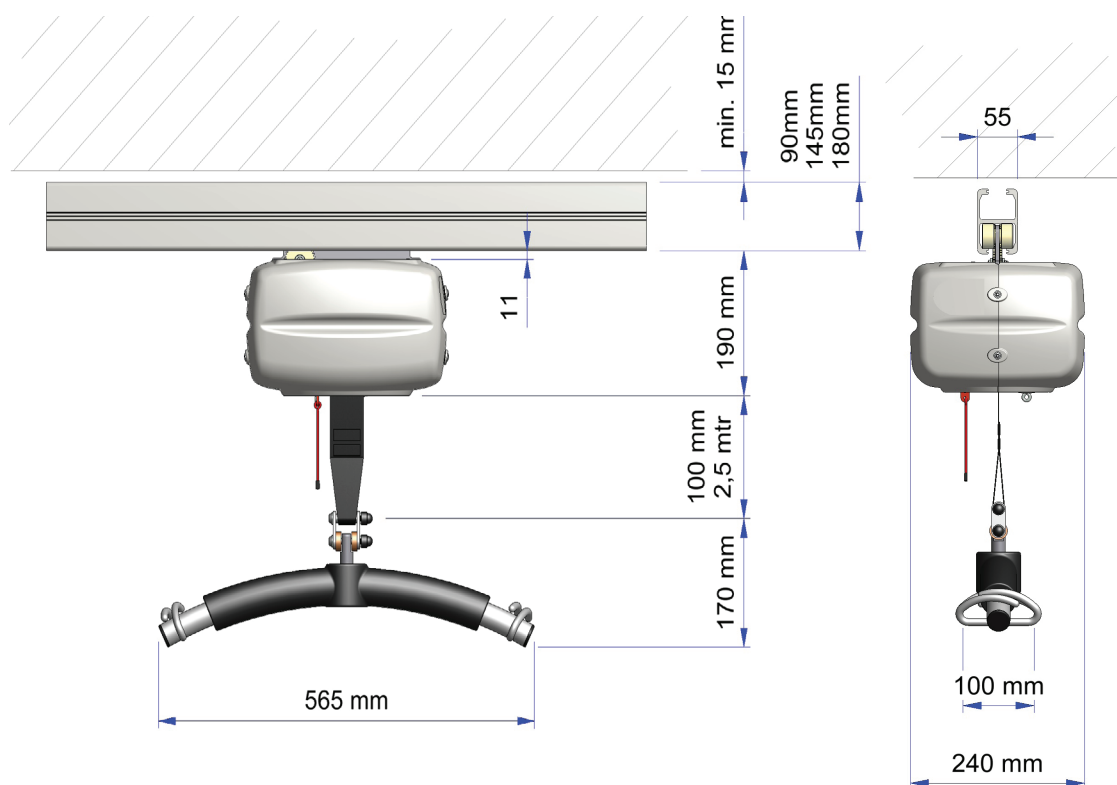


Product Specifications OT200 Ceiling Hoist

Specifications

Model	OT200 Compact Ceiling Hoist
Function	Patient Lifting, Room-to-Room Transfer, Ideal for Bathrooms, Bedrooms & Home Use
Dimensions	Cassette - 303mm x 240mm x 190mm
Weight Capacity	200kg or 250kg
Product Weight	18kg
Options	Powered or Manual Tilting Cradle, 2-Point Spreader Bar (Standard), Weigh Scale, Infra-Red
Track Options	H-System, Turntable, Gate, 90° Curve, 45° Curve, Room-to-Room, Freestanding Gantry
Track Lengths	2m, 3m, 4.5m, 6m, 8m
Voltage	24Vdc
Lifting Speed	2.5m / min max
Travel Speed	12m / min max
IP Rating	IP rating 54
Noise	42dB (A)
Application	Nursing Home, Hospital, Domestic, School, Leisure Centre, Physiotherapy
Unique Features	Gravity powered charging, No Tools Emergency Down

Dimensions



51 East Gate Drive, Little Island, Cork.
Tel: 021 4618000
E: sales@mmsmedical.ie



Unit 81, Western Parkway Business Park,
Lower Ballymount Road, Dublin 12
T: 01 4500582
E: sales@mmsmedical.ie

www.mmsmedical.ie

