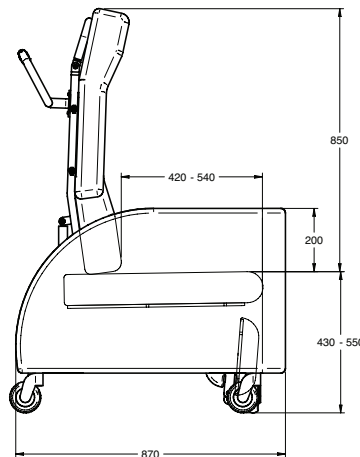
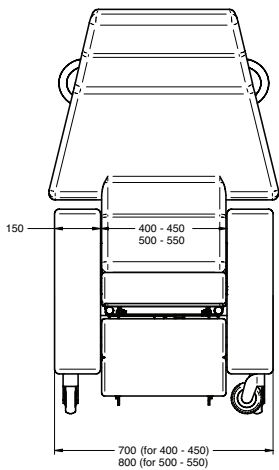


TECHNICAL SPECIFICATION

kirton

ENCORA



Dimensions in mm

General Use

- Specialist care units
- General and care of the elderly wards
- Care home and hospice environments
- Domestic home use
- For those seated for lengthy periods
- For those at risk from pressure related problems
- For the semi and ambulant user

Features and Benefits

- Gas action or Electrically powered Tilt-in-Space, Back angle recline and Elevating legrest
- Three pressure relieving seat module options
- Advanced Comfort Backrest
- Innovative pressure relieving Reflexion™ Foam on user contact surfaces
- Multi-positioning, integral headrest
- Adjustable seat height and seat length
- Integral, adjustable lateral supports
- Multi-directional, breathable Dartex material on all user contact surfaces

Pressure Relieving Seat Options (integral)

- Intelli-Gel® Integral seat module
- Transflo Gel seat module
- Reflexion™ Foam seat module

Accessories

- Height adjustable footboard
- Laminated tray with straps
- Cushioned or Universal Headrest
- Lap-Belts and Pelvic Positioners

Weight Limit

- 160kg/25 stone



Seat Height Adjustment



Tilt-in-Space



Elevating Legrest



Manual



Electric



5 Year Frame Warranty



10 Working Day Despatch

MMS
MEDICAL



Made in Britain



IntelliGel
integral

REFLEXION™

Transflo
SEATING SYSTEM

Contact Us

MMS Medical, 51 Eastgate Drive, Little Island, Cork. Tel: 021 4618000 Email : ifo@mmsmedical.ie

MMS Medical, Unit 81 Western Parkway Business Park, Lower Ballymount Road, Dublin 12. Tel: 01 4500582 www.mmsmedical.ie