

DUORANGE

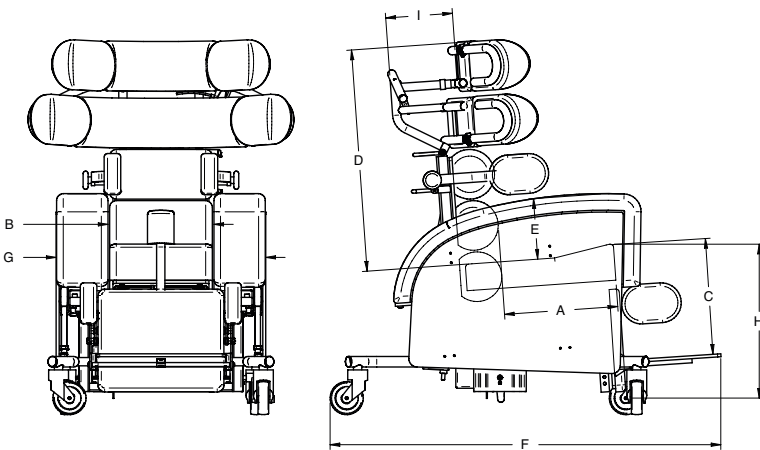
Duo Mini



Duo Minor



Duo Major



Specifications

Duo

- A: Seat Length
- B: Seat Width
- C: Seat Height (from footboard)
- D: Back Height
- E: Arm Height
- F: Overall Length
- G: Overall Width
- H: Seat Height (from floor)
- I: Headrest Depth Adjustment

	Major	Minor	Mini
A: Seat Length	380-500	320-460	240-340
B: Seat Width	350/400/450/500	300/350/400/450	200/250/300/350
C: Seat Height (from footboard)	350-500	300-450	235-375
D: Back Height	670-940	610-820	490-660
E: Arm Height	180-300	180-300	140-240
F: Overall Length	1180	1030	880
G: Overall Width	680-830	620-770	570-640
H: Seat Height (from floor)	510-630 (Manual version: 510)	500-620 (Manual version: 500)	430-530
I: Headrest Depth Adjustment	100	80	60
Tilt-in-Space:	Horizontal to 35° backwards (28° backwards on Manual version)		Horizontal to 40° backwards
Back Recline	90° to 130°	90° to 130°	95° to 130°
Negative Legrest Angle:	-25°	-25°	-
Footrest Adjustable Angle:	60°, 75°, 90°, 105°, 120°	60°, 75°, 90°, 105°, 120°	70°, 90°, 110°
Seat Modules:	All seat modules can be made to measure on request.		

All measurements in mm

General Use

- Domestic home use
- Hospital, hospice and care home environments
- For those with or at risk of developing an unconventional body shape
- For those with postural related problems

Features and Benefits

- Three chair sizes: Major; Minor and Mini
- Regulated Motion or Gas Action or Electrically powered Tilt-in-Space and Legrest elevation (Duo Mini available with Manual or Electric adjustment only)
- Two back style options: Waterfall or Sculpted
- Three pressure relieving seat module options
- Arcing legrest without compromising footboard positioning
- Easy to use handset on Regulated Motion and Electric models
- Tool-free, lever and spring-clip adjustments
- Split-wing headrest for support of the head and shoulders
- Adjustable headrest for precise positioning of the head
- Push handle
- Strong, durable 100mm single wheels, rear braked (75mm twin wheels on the Duo Mini)

Pressure Relieving Seat Options (integral)

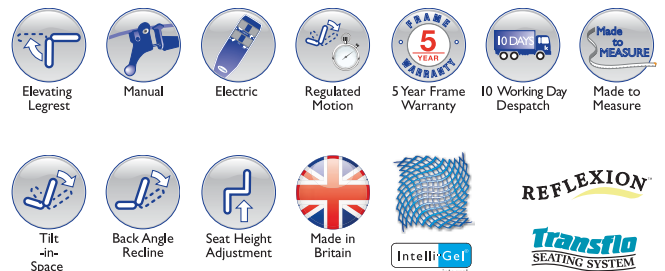
- Intelli-Gel® Integral seat module
- Transflo Gel seat module
- Reflexion™ Foam seat module

Accessories

- Lateral supports
- Leg-Laterals
- Pommel
- Legrest bracket to achieve a 25° negative angle (not available on Duo Mini)
- Flat seat board
- Foot Sandals
- Ankle Huggers
- Lap-Belt
- Pelvic Positioners
- Universal Mobile Tray

Weight Limit

- Major/Minor: 160kg/25 stone
- Mini: 57kg/9 stone



Contact Us

MMS Medical, 51 Eastgate Drive, Little Island, Cork. Tel: 021 4618000 Email: info@mmsmedical.ie
 MMS Medical, Unit 81 Western Parkway Business Park, Lower Ballymount Road, Dublin 12 Tel : 01 4500582
www.mmsmedical.ie